



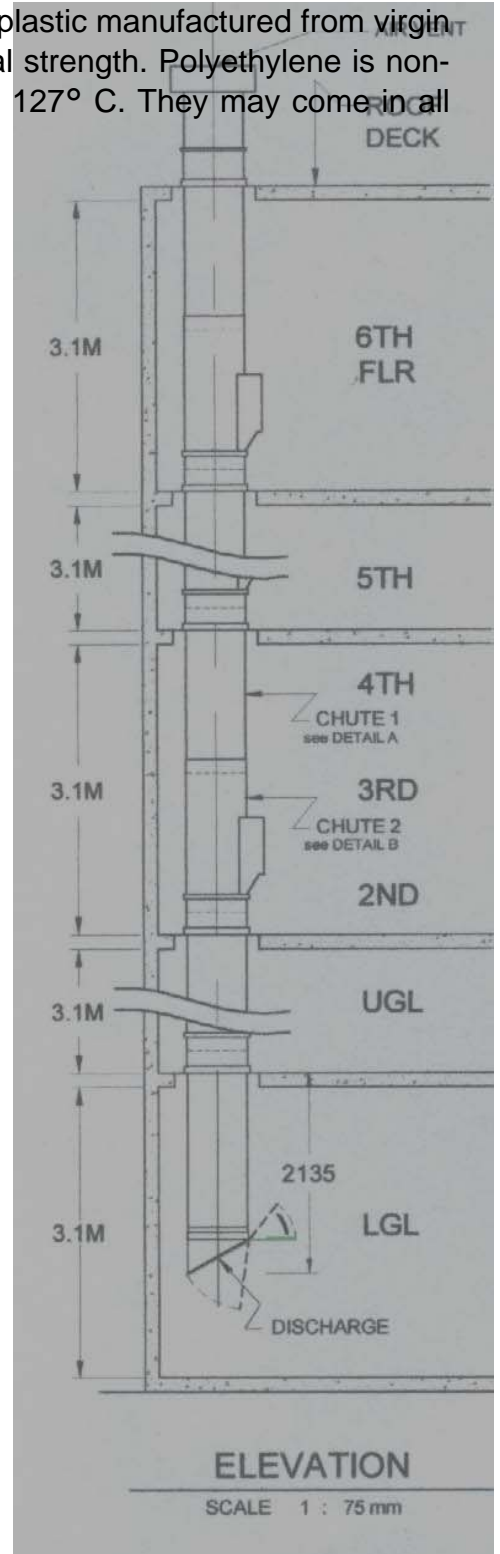
# INCA GARBAGE CHUTES

The **INCA GARBAGE CHUTE** is a system of rotationally molded plastic manufactured from virgin Linear Low Density Polyethylene (LLDPE) resin for high structural strength. Polyethylene is non-combustible. Softening point is at 117° C and melting point is at 127° C. They may come in all types of basic colors or even special granite like finishes.

The **INCA GARBAGE CHUTE** system is designed in modular form. It combines strength, lightness in weight, ease of installation, plus flexibility in sectional repair or replacement.

The **INCA GARBAGE CHUTE** system consists of:

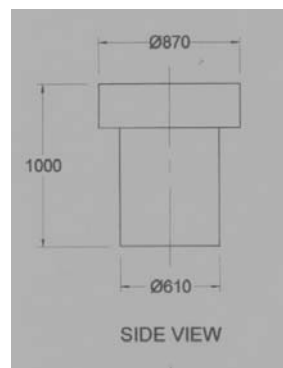
MODULAR SECTIONS	ILLUSTRATION
<p>1. In-between floors polyethylene tubes with intake throats having a tapered inner diameter from 625 mm to 610 mm, length of 1565 mm and thickness of 3/16 inches</p>	
<p>2. Polyethylene floor connectors having diameters tapered from 6.25m down to 6.1m, length of 1930 mm and thickness of 3/16 inches</p>	



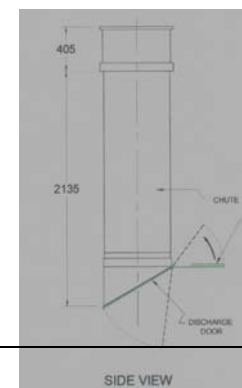
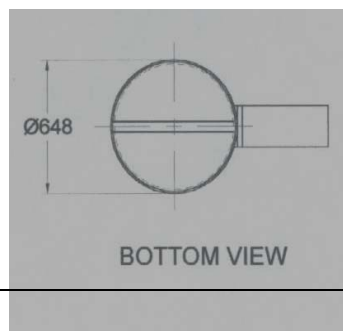
**INCA PLASTICS PHILIPPINES, INC.**

Bldg. 4 Philcrest Compound, km 23 West Service Rd., Cupang Muntinlupa City, Philippines  
 Tel. +63 2 850 0582; Fax +63 2 809 1108; TOLL FREE 1-800-1888-4622; <http://www.inca.com.ph>

3. Polyethylene air vent 3/13 inch thickness, 1 m tall with diameter tapered from 6.25m down to 6.1m. Holes are drilled in the inner upper portion of the air vent to prevent water from rain to come in through the tube. Provision for sprinkler system to wash down the tube for cleaning.



4. Discharge throat tube 3/16 inch thickness with closer assembly of reinforced polyethylene. Counterweight provides as self closing mechanism to prevent entry of stench smell, cockroaches or flies.



5. Intake stainless steel door assembly (gauge 18) with dimensions 0.5 m wide x 0.6 m height self-closing (pneumatic)

The scope of work in installing these chutes will be after each floor, up to the roof had been provided with clean, 620 mm diameter concentric holes.

**INCA PLASTICS PHILIPPINES, INC.**

Bldg. 4 Philcrest Compound, km 23 West Service Rd., Cupang Muntinlupa City, Philippines  
 Tel. +63 2 850 0582; Fax +63 2 809 1108; TOLL FREE 1-800-1888-4622; <http://www.inca.com.ph>