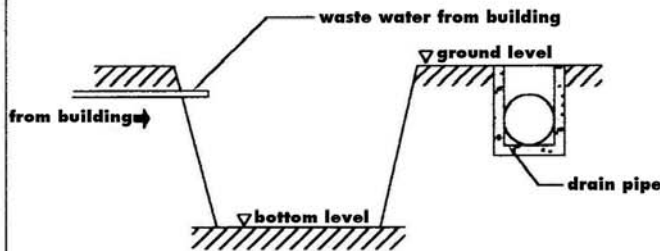




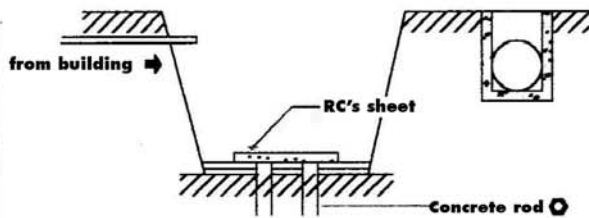
HOW TO INSTALL INCA'S SEPTIC TANK PRODUCTS

For technical assistance please call
 Inca plastics Philippines, Inc. Tel. +63 2 809 3380 or 809 2730; Fax +63 2 8091108
<http://www.inca.com.ph>

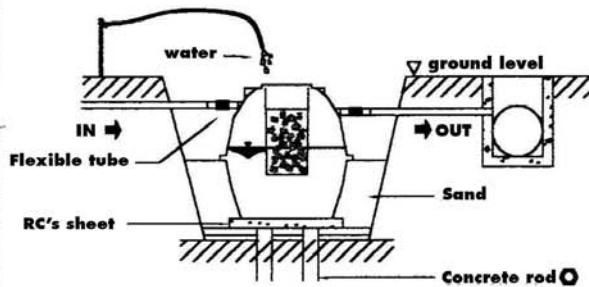
1. Dig the pit size as mentioned from table 1



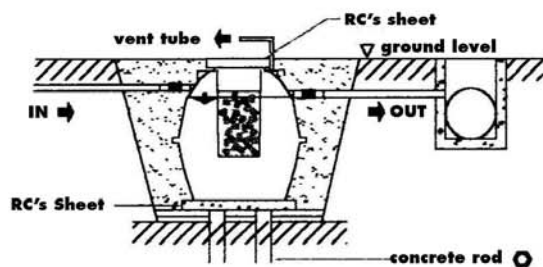
2. Put the concrete rod at the bottom and make a RC's sheet. (The sheet should be wider than the bottom of the tank about 15 cm)



3. Caution: Have to fill the water into tank until full. Then fill the sand into the space between the tank and the pit's wall



4. Connect the ventilation tube from the tank to the highest point of the building



5. Cover the lid with the RC's sheet

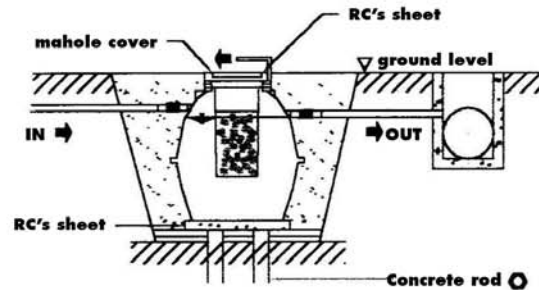
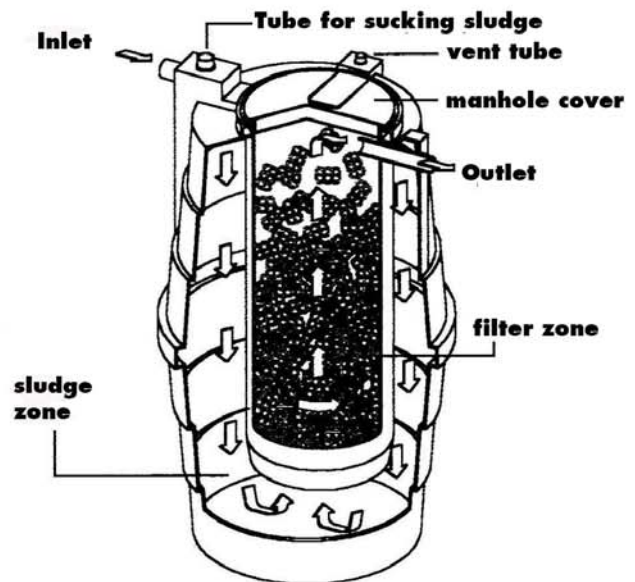


TABLE 1

Model	Width	Length	Depth
STA 600	1.50	1.50	1.40
STA 1000	1.50	1.50	1.60
STA 1200	1.50	1.50	1.70
STA 1500	1.50	1.50	2.00
STA 1700	1.70	1.70	2.30
STA 2200	1.70	1.70	2.50
STAH 1000	1.30	1.60	1.30
STAH 1500	1.30	2.00	1.30
STAH 2000	1.30	2.60	1.30
STAH 2500	1.30	3.20	1.30

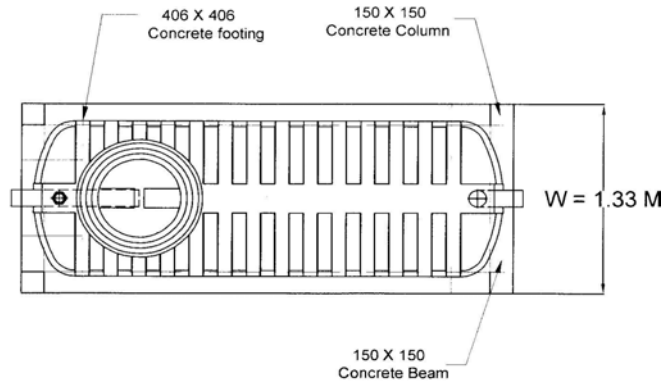
Section shows the working process



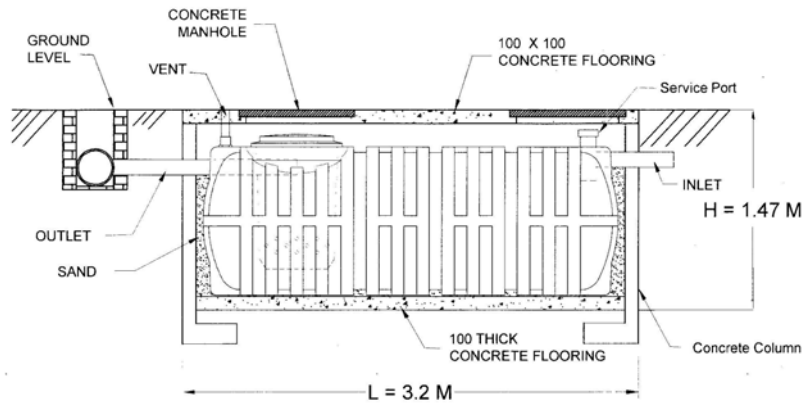
Remark: RC = Reinforced Concrete

Suggested Installation For STA H 2500

Top View

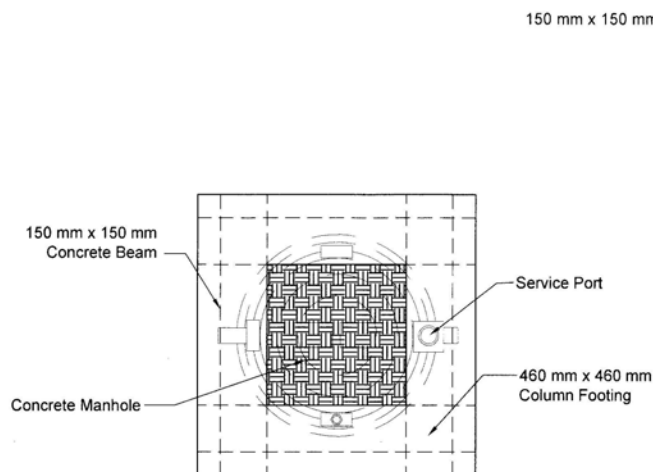


Side View



Suggested Installation For STA 2200

Top View



Side View

